

Complete Document  
Management with  
Colour on Demand

**Aficio™ 2228C/2232C/2238C**



**RICOH**  
Image Communication

# Print, Copy, Fax\*, Scan in Black and White... or Colour

By now most offices have discovered the benefits of multifunctionality. So, how do you gain that competitive advantage? Imagine using one affordable all-in system that allows you to go that one step further. The Aficio™2228C/2232C/2238C provide you with every capability you would expect from a Ricoh multifunctional document manager. Digital supremacy, exceptional ease of use, advanced networking, top output quality, reliability... you name it. Of course these systems come with 'scan to e-mail', LDAP support and document management functionalities. In addition, cost effective faxing, finishing and booklet making as well as an array of other options are available. However, being the leader in office colour, Ricoh takes it one step further and offers you the one tool that will make your documents stand out: on demand, affordable colour. Any user can now easily and cost effectively enhance business documents with colour. A superior professional image is within your reach. The Aficio™2228C/2232C/2238C deliver sophisticated multifunctionality as well as the option to add colour that will give your documents that extra edge!

\* Fax: black and white only.



# High Performance Black and White and Colour in One

When you invest in office equipment, you want the best without overstepping your budget. With the Aficio™2228C/2232C/2238C,

Ricoh introduces three leading edge multifunctional products. Easy operation, versatile finishing, device management, advanced faxing and scanning... it's all yours.

And to meet your latest needs, we added optimal network connectivity, colour scanning and efficient document management.

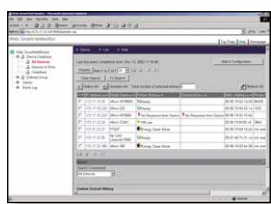
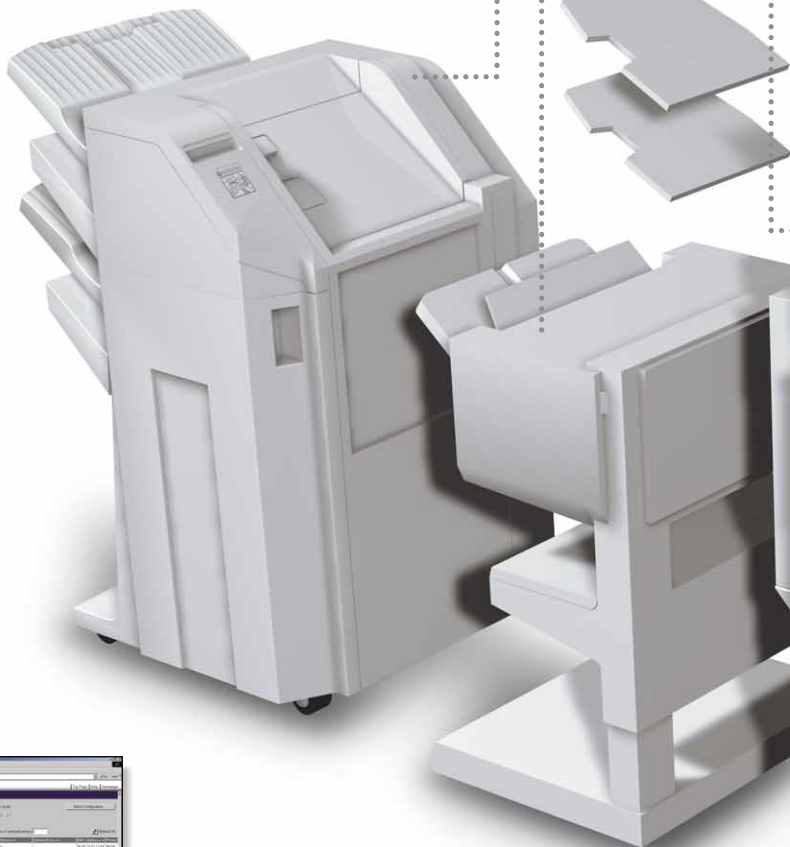


## Intuitive Operation

Printing, copying, faxing and scanning: you are easily guided through all processes thanks to the large, self explanatory LCD touch screen. In addition, the 'scan once, copy many' principle stands for optimal reliability while the electronic sorting function allows easy handling and efficient distribution.

## Versatile Finishing & Booklet Creation

Make a professional impression with your finished productions. You can choose between a 2,000-sheet multi-tray finisher or a 1,000-sheet booklet finisher for the creation of striking newsletters, manuals, presentation materials etc.



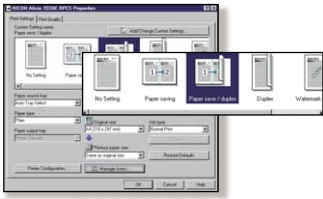
## Web Based Device Management

Using Web SmartDeviceMonitor™, the status of networked peripherals can be monitored and checked through common web browsers. Additionally, IT managers and network administrators can set user privileges, obtain complete job statistics and restrict usage.

*The image on these pages is not a real photograph and slight differences in detail might appear.*

## Connect to Any Network

With its embedded Network Interface Board (NIB), the Aficio™2228C/2232C/2238C can integrate with virtually any network environment. An IEEE 1394 interface board or USB 2.0 option can be added to enhance connectivity flexibility. Wireless LAN enables printing across the network without the use of cables. Opting for Bluetooth allows you to connect devices outside the network.



## Time Saving One Click Printing

Ricoh's unique printer language RPCS™ enables fast, easy and efficient printing. Thanks to its icon based interface, any print job – no matter how complex – is only one click away and entering print commands takes only seconds.

## Secure & Confidential Printing

To prevent unauthorised people from picking up your confidential print jobs, you can use the Locked Print™ facility: only after password confirmation will the documents be released. The Sample Print™ function eliminates errors when producing multiple sets: you can verify the first set before collecting the remaining sets.



## Cost Effective Print Job Routing

Many offices and departments have a number of print solutions at their disposal. Ideally, different kinds of print jobs should be routed to the most suitable print system: large, complex jobs to the central printer, smaller print jobs to the desktop device. doc-Q-route brings these new levels of efficiency to your business printing. This easy to use network solution automatically routes documents to the most appropriate device such as the Aficio™2228C/2232C/2238C. Installation and configuration are effortless and by precisely routing print jobs, you not only increase productivity but also save the cost of printing on the more expensive desktop printers.

## Unlimited Auto Duplex

To reduce paper usage, the Aficio™2228C/2232C/2238C are equipped with a tray-less auto duplex function. It produces unlimited double-sided output in a single job without loss of speed.

## Cost Saving Internet Faxing

Using the Internet for long distance faxing has major advantages. By sending fax messages to PCs in e-mail format, you reduce costs while enhancing your communication capabilities.



## Colour Scan to E-mail

If you need to distribute documents in a secure way, you can send scanned colour files as e-mail attachments straight from the operation panel. No delivery server is required. Up to 2,000 e-mail addresses can be stored in the systems' Hard Disk Drive or you can use LDAP to directly access up to date e-mail addresses from your company's e-mail system. This all adds up to a very cost effective way of distributing documents.



# Fast Output with a Difference

High productivity and ease of use go hand in hand with the Aficio™2228C/2232C/2238C. Top output speeds and user friendly operation help you obtain optimum workflow efficiency. You can take advantage of the systems' integrated fast colour capabilities whenever you need them to make your documents stand out.



To make your documents more comprehensible and easier to read, simply add colour highlights to draw the attention to key information.

## High Speed Saves Time

Ready for a major productivity boost? With the Aficio™2228C/2232C/2238C's amazing output speeds you will notice a significant difference. At 28/32/38 pages per minute in black and white and 20/24/28 in colour, your output – whether simplex or duplex – is ready before you know it. A short warm up time and high first output speed make these systems ideal for user groups with high productivity requirements.

## Easy to Use for Anyone

The Aficio™2228C/2232C/2238C are as easy to work with as a black and white device. No need to bury yourself in complicated manuals as the large touch screen guides you through programming any job in no time. Machine settings and language choice are adjustable in the same way and maintenance is easily monitored. Easily installed finishing options are available in a compact design.

## Efficient Storage, Merging & Distribution

To digitise, store and manage all files, the Aficio™2228C/2232C/2238C come with ScanRouter™ V2 Lite & DeskTopBinder™ V2 Lite software. The possibilities are endless: 'scan to folder', search and view files, re-distribute files, combine digital and analogue documents into one, etc.

## Colour Sells

Most of your business documents will be acceptable if printed in black and white. However, add a touch of colour to your proposals, invoices, forms etc. and you will be surprised at the impact. Documents become easier to read, understand and recognise when colour is used. This not only enhances their impact<sup>1</sup>, but also guarantees higher retention and even increases brand awareness – vital elements to stay ahead in today's competitive business world.

<sup>1</sup> 80% of all business managers believe that using colour gives their proposals greater credence.

Source: EnviroNics Research Group survey August 2003

## Black and White & Colour in One

Using colour does not necessarily imply high costs and low productivity. On top of their nominal functions, the Aficio™2228C/2232C/2238C offer affordable colour at speeds that are comparable to other black and white systems. Instead of investing in separate systems that take up valuable space, you gain a complete multifunctional device that handles all office tasks and colour. These systems encompass every possible tool to make a competitive difference.



colour  
20/24/28 ppm



black and white  
28/32/38 ppm

The Aficio™2228C/2232C/2238C stand for highly productive output: with amazing speeds, in both black and white and colour!



Even with such an array of functionalities, these all-in-one systems remain simple to operate thanks to a handy LCD touch panel for easy programming.



# Aficio™ 2228C/2232C/2238C

## Specifications



### COPIER

Copying process:	Laser beam scanning & electro photographic printing	
Copy speed:	Black and white: 28/32/38 copies per minute	Full colour: 20/24/28 copies per minute
Resolution:	600 dpi	
Multiple copy:	Up to 999	
Warm up time:	Less than 101 seconds	
First output speed:	Black and white: 8 seconds	Full colour: 10 seconds
Zoom:	25 - 400% (in 1% steps)	
Memory:	Standard: 768 MB + 80 GB Hard Disk Drive	
Paper input capacity:	Standard: 2 x 500-sheet trays	1 x 100-sheet bypass tray
	Maximum:	3,100 sheets
Paper output capacity:	Standard: 500 sheets + 100 sheets	Maximum: 2,600 sheets
Paper size:	A6 - A3 (A3+ via bypass tray)	
Paper weight:	Paper trays/duplex:	60 - 105 g/m <sup>2</sup>
	Bypass tray:	60 - 163 g/m <sup>2</sup>
Dimensions: (W x D x H)	670 x 698 x 859 mm	
Weight:	Less than 120 kg	
Power source:	220 - 240 V, 50/60 Hz	
Power consumption:	Operation: Maximum 1.44 kW	Energy saver mode: Less than 197 W

Stored destination addresses:	Maximum 2,000
Address book:	Via LDAP or locally on Hard Disk Drive
Scan to folder:	SMB or FTP protocol (with login security)
Destination:	Maximum 50 folders per job



### SOFTWARE

SmartDeviceMonitor™, Web SmartDeviceMonitor™, Web Image Monitor, DeskTopBinder™ V2 Lite, ScanRouter™ V2 Lite



### FAX (option)

Circuit:	PSTN, PBX	
Compatibility:	ITU-T (CCITT) G3	
	ITU-T (T.37) Internet Fax	
Modem speed:	Maximum 33.6 Kbps	
Resolution:	Standard/detail: 200 x 200/100 dpi	Maximum: 400 x 400 dpi (option)
Compression method:	MH, MR, MMR, JBIG (option)	
Scanning speed:	Less than 1.06 seconds (200 x 100 dpi, A4)	
Memory capacity:	Standard: 4 MB	Maximum: 28 MB
Memory backup:	Yes	



### PRINTER

Print speed:	Black and white: 28/32/38 prints per minute	Full colour: 20/24/28 prints per minute
Printer language:	Standard: PCL5c, RPCS™	Option: Adobe® PostScript® 3™
Resolution:	Maximum: 1,200 x 1,200 dpi	
Interface:	Standard: Bi-directional IEEE 1284	
	Ethernet 10 base-T/100 base-TX	
Network protocol:	TCP/IP, IPX/SPX, NetBEUI, AppleTalk	
Supported environments:	Windows® 95/98/Me/NT4.0/2000/XP	2003 Server
	Macintosh 8.6 or later (except for v10.0.x)	Netware, Unix
		IBM iSeries / AS/400® using OS/400 Host Print Transform

- Platen cover
- 80-sheet Auto Reverse Document Feeder
- 1 x 500-sheet paper tray
- 2 x 500-sheet paper trays
- 2,000-sheet large capacity tray
- 350-sheet multi-bin tray
- 2,000-sheet multi-tray finisher (2/4 hole punch available as option)
- 1,000-sheet booklet finisher (2 or 4 hole punch available as option)
- Adobe® PostScript® 3™
- Wireless LAN (IEEE 802.11b)
- Bluetooth
- IEEE 1394
- USB 2.0
- 2nd G3 port
- Professional software solutions

For availability of models, optional apparatus and software, please consult your local Ricoh supplier.



### SCANNER

Scan speed:	Maximum 28 originals per minute (MH, A4)
Resolution:	600 dpi
Original size:	A5 - A3
Output formats:	PDF/JPEG/TIFF
Bundled drivers:	Network, TWAIN
Scan to e-mail:	SMTTP
Destination addresses:	Maximum 500 per job

### OTHER OPTIONS



ISO9001: 2000 certified  
ISO14001 certified

Ricoh has determined that these products meet the ENERGY STAR guidelines for energy efficiency.

Ricoh believes in conserving the earth's precious natural resources.

All brand and/or product names are trademarks of their respective owners.

Specifications and external appearance are subject to change without notice. The colour of the actual product may vary from the colour shown in the brochure.

**RICOH**  
Image Communication

For more information, please contact:

RICOH EUROPE B.V. Groenelaan 3,  
P.O. Box 114, 1180 AC Amstelveen,  
The Netherlands.  
Phone: +31 (0)20-5474111  
Fax: +31 (0)20-6418601

[www.ricoh-europe.com](http://www.ricoh-europe.com)